

TRIGON



OPTICAL

Symmetrical light distribution
Luminous efficacy >100 lm/W
Lifetime (L80/B20): 50000 h. (tq+25°C)
High Power LED module
Color rendering index: CRI>80
MacAdams SDCM 3

MECHANICAL

Corrosion resistant aluminium housing
Optic lens for ideal light distribution
IP65 protection degree
Impact resistance IK08
Glow-wire test resistance 650°C

ELECTRICAL

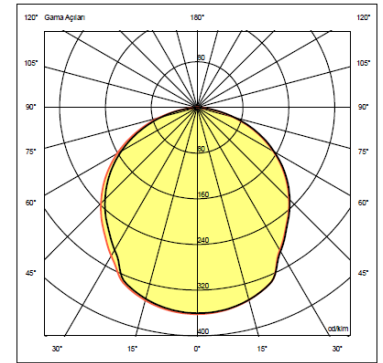
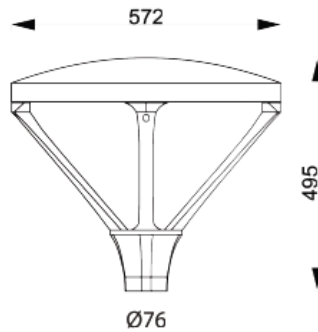
Halogen-free wiring
220-240V-50/60Hz
Power factor >0.95
Constant current, Class I, isolated driver
CE - IEC 60598-1 - EN 60598-1
Ambient temperature from -30°C to +60°C
On-Off Control - (Code: .N000)

OPTIONAL

DALI - (Code: .DXXX)
Color temperature (K) options
RAL colour selection

INSTALLATION

Ground mounted.



| Product Code | Power (W) | Lumen (lm) | CCT (K) | CRI | Dimensions WxL (mm) |
|-----------------|-----------|------------|---------|-------|---------------------|
| 09493.54.60.053 | 40 | 5080 | 6000K | Ra>70 | 572x4000 |

All electrical values given are rated values. Luminous flux and connected electrical load are subject to an initial tolerance of +/- 10%. Tolerance of colour temperature: +/-150 K. Unless stated otherwise, the values apply to an ambient temperature of 25°C.

Any information including technical parameters and product codes may differ from standard products in catalogue & web site due to customization made per projects.

Ikizler Lighting has the right to make changes or cancellations on the products without notification. Updated information on the products can be received from our web site.