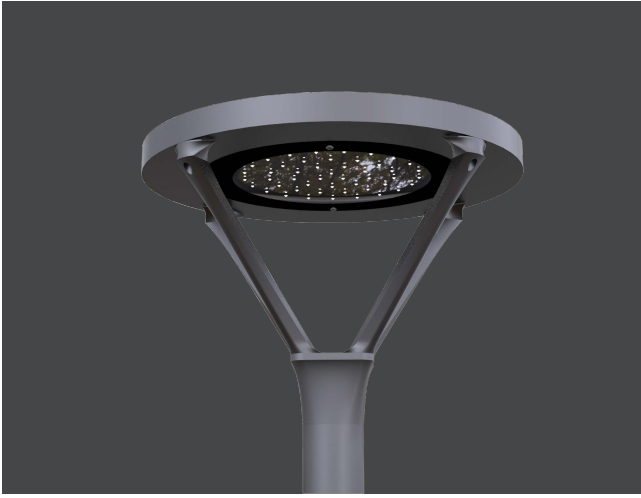


# TRIGON



## OPTICAL

Symmetrical light distribution  
Luminous efficacy >100 lm/W  
Lifetime (L80/B20): 50000 h. (tq+25°C)  
High Power LED module  
Color rendering index: CRI>80  
MacAdams SDCM 3

## MECHANICAL

Corrosion resistant aluminium housing  
Optic lens for ideal light distribution  
IP65 protection degree  
Impact resistance IK08  
Glow-wire test resistance 650°C

## ELECTRICAL

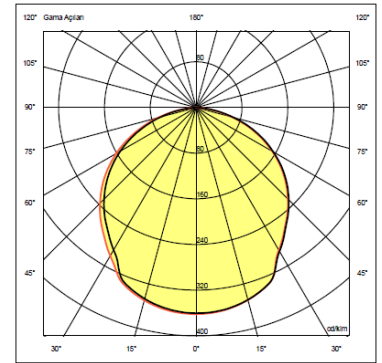
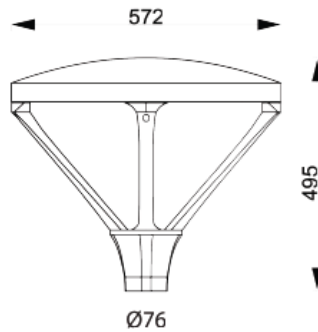
Halogen-free wiring  
220-240V-50/60Hz  
Power factor >0.95  
Constant current, Class I, isolated driver  
CE - IEC 60598-1 - EN 60598-1  
Ambient temperature from -30°C to +60°C  
On-Off Control - [Code: .N000]

## OPTIONAL

DALI - [Code: .DXXX]  
Color temperature (K) options  
RAL colour selection

## INSTALLATION

Ground mounted.



Product Code	Power (W)	Lumen (lm)	CCT (K)	CRI	Dimensions WxL (mm)
09493.55.60.107	75	10900	6000K	Ra>70	572x5000

All electrical values given are rated values. Luminous flux and connected electrical load are subject to an initial tolerance of +/- 10%. Tolerance of colour temperature: +/-150 K. Unless stated otherwise, the values apply to an ambient temperature of 25°C.

Any information including technical parameters and product codes may differ from standard products in catalogue & web site due to customization made per projects.

Ikizler Lighting has the right to make changes or cancellations on the products without notification. Updated information on the products can be received from our web site.